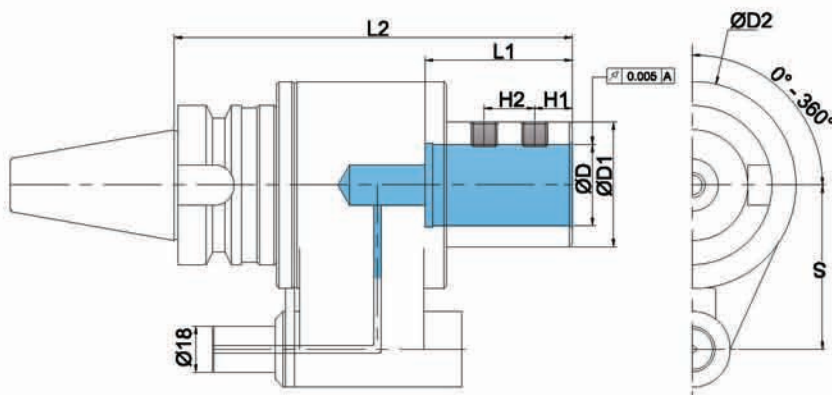


OSL ROTARY THROUGH COOLANT SUPPLY CHUCKS

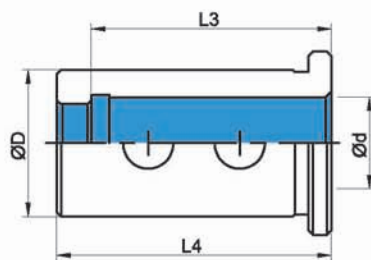
ACROW IMP



Part No.	ØD	L1	L2	Ø D1	Ø D2	H1	H2	G	S
BT40-OSL16-150	16	48	150	49	82	25	-	M12 * 1.75P * 1	65
-OSL20-150	20	50				15	20	M16 * 2.00P * 2	
-OSL25-165	25	56	165	165	M12 * 1.75P * 2				
-OSL32-165	32	60			M12 * 1.75P * 2				

BT50-OSL16-165	16	48	165	49	98	25	-	M12 * 1.75P * 1	80
-OSL20-165	20	50		59		15	20	M16 * 2.00P * 2	
-OSL25-165	25	56	165		165		25	M14 * 2.00P * 2	
-OSL32-165	32	60		M14 * 2.00P * 2					
-OSL40-165	40	70	M14 * 2.00P * 2						

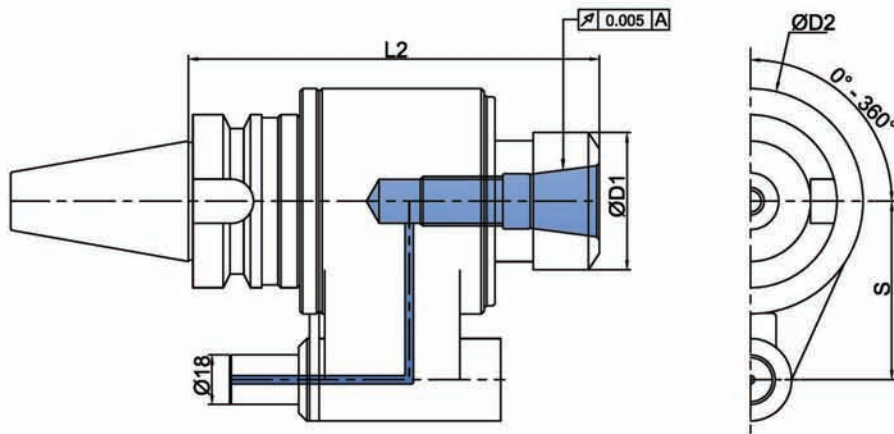
OSL Reduction Sleeves



Part No.	ØD	Ød	L3	L4
OSL25-160	25	16	48	60
-200		20	50	
OSL32-200	32	25	56	64
-250			60	
OSL40-250	40	32	60	74
-320			74	

OTHER ROTARY THROUGH COOLANT SUPPLY CHUCKS(DIN 6499)

ACROW IMP

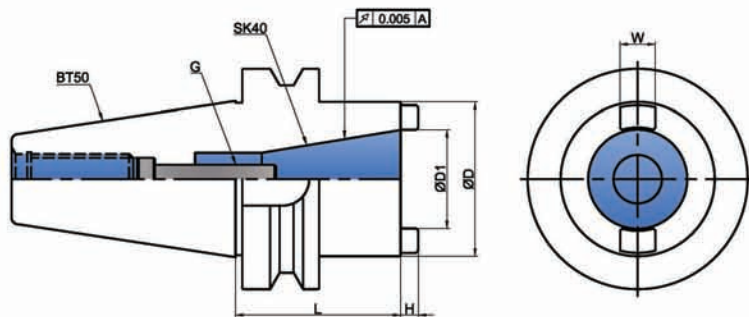


Caution : Excessive tightening torque will damage the chuck, nut or / and collet

Part No.	ØD Range	Collets	ØD1	ØD2	L	S
BT40-OHER25-175	Ø4 ~ Ø16	ER0H25	42	82	175	65
-OHER32-175	Ø4 ~ Ø20	ER0H32	50			
BT50-OHER25-180	Ø4 ~ Ø16	ER0H25	42	98	180	80
-OHER32-180	Ø4 ~ Ø20	ER0H32	50			

EROH coolant collets and wrenches to be ordered separately.

TSA Reduction Holders



Part No.	L	H	G	ØD1	ØD	W
BT50-TSA40M-075	75	8	M16*2.0P	47	70	15.9
-TSA40U-075			5/8"UNC			