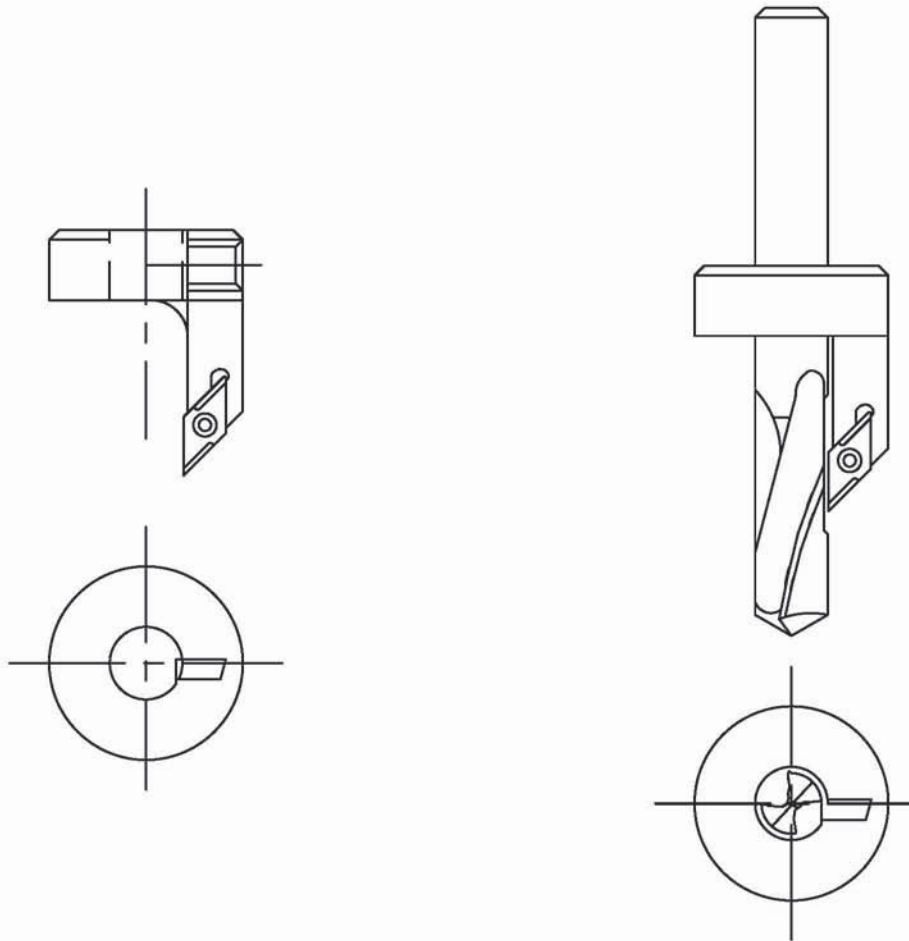
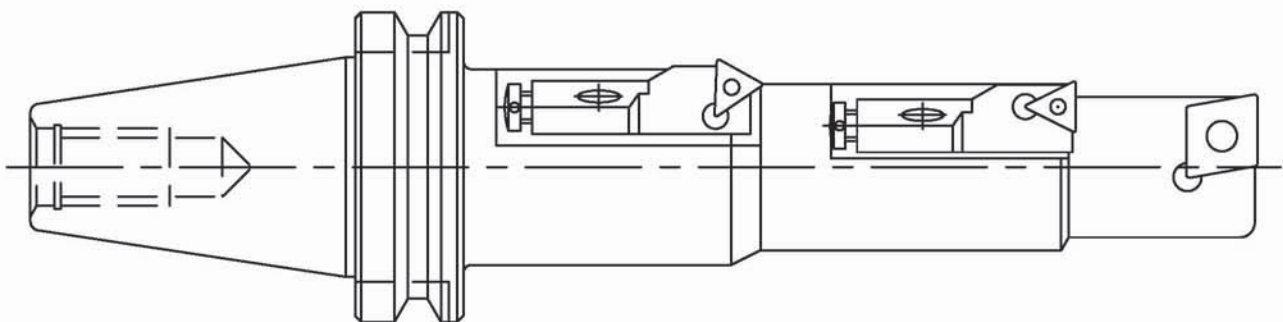


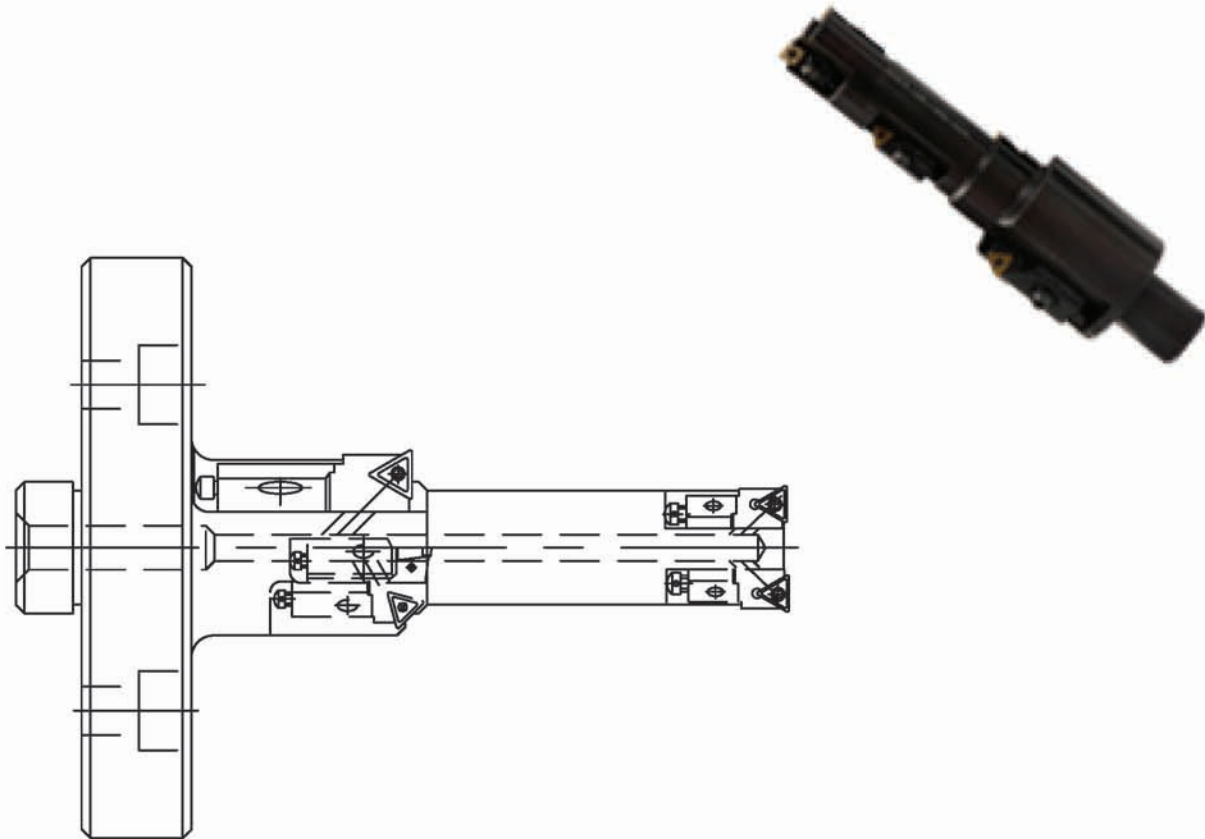
DRILL CUM CHAMFER



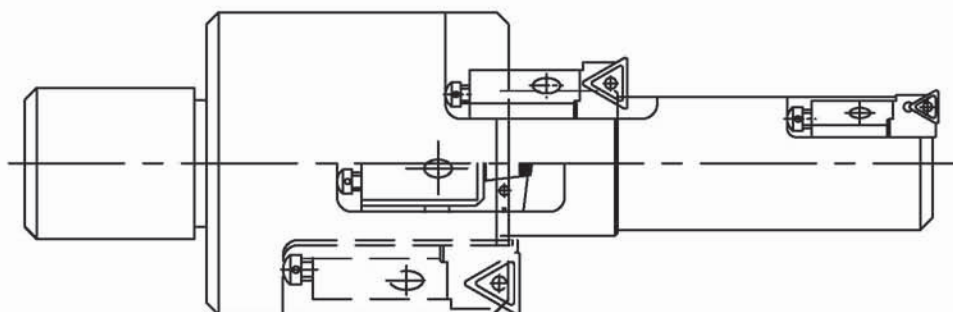
SPL COMBINATION BORING BAR-BT SHANK-ROUGH



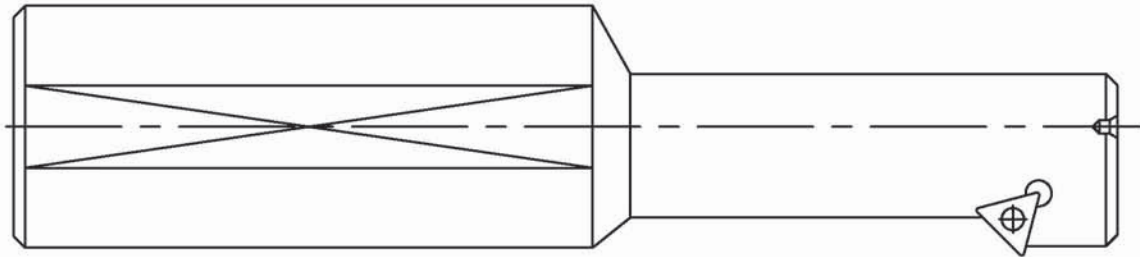
COMBINATION BORING BAR-SPM



SPL COMBINATION BORING BAR

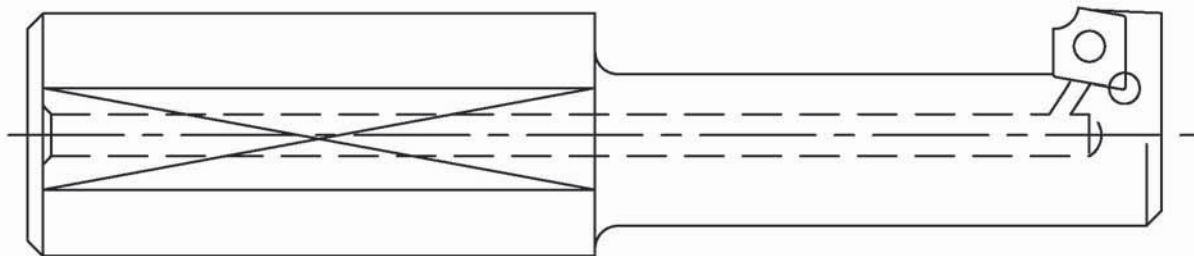


BACK CHAMFER HOLDER

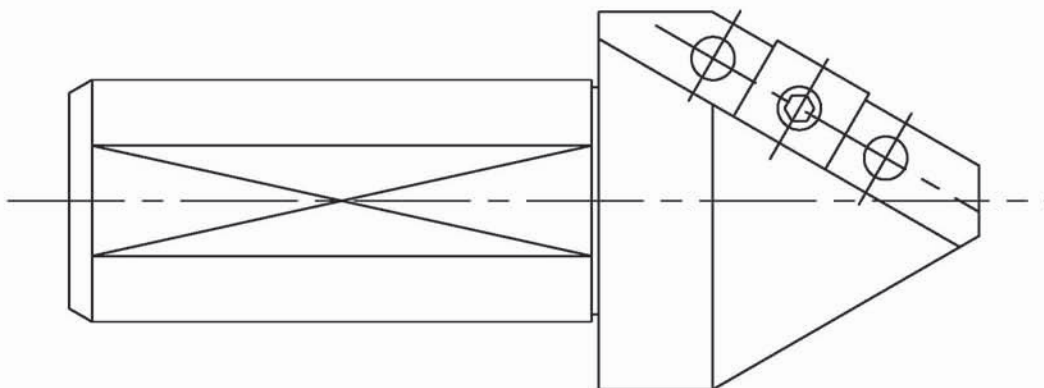


BACK CHAMFER HOLDER 15°, 20°, 30°, 45° AND 60°
TO SUIT CUSTOMER REQUIREMENTS.

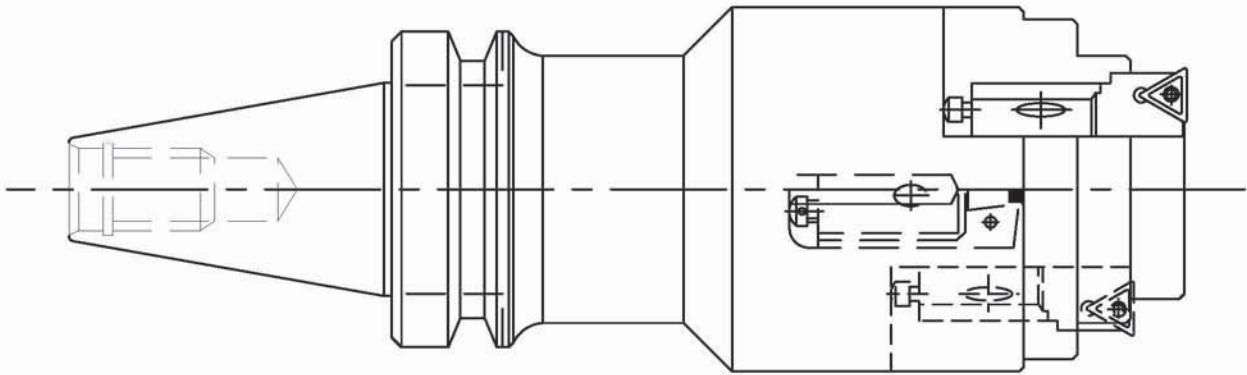
SPL. BACK RADIUS HOLDER



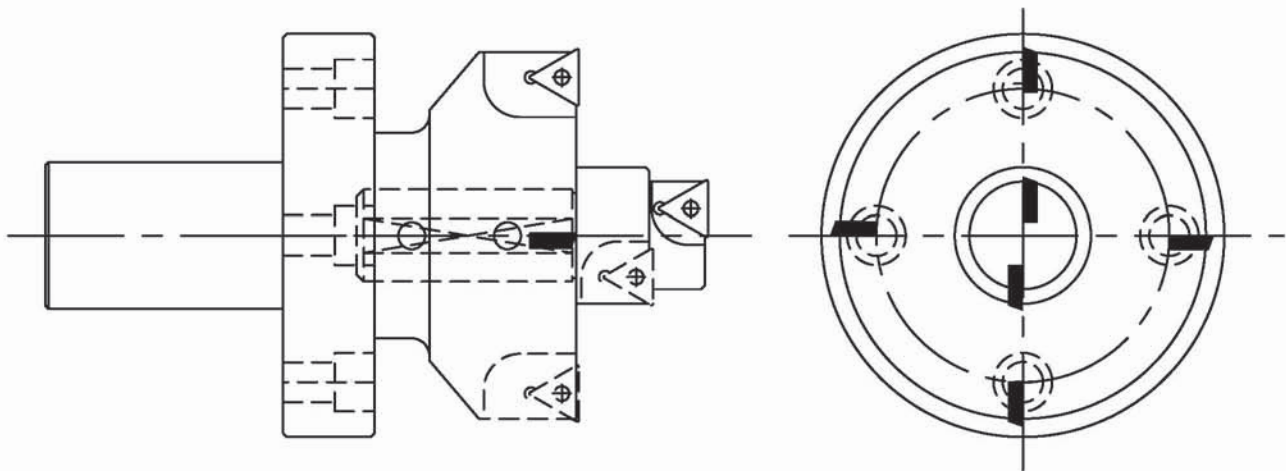
SPL. CHAMFER HOLDER



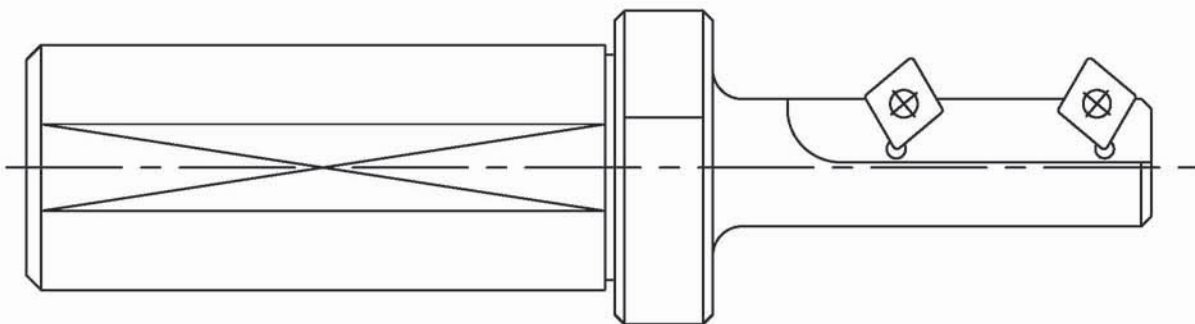
COMBINATION BORING BAR



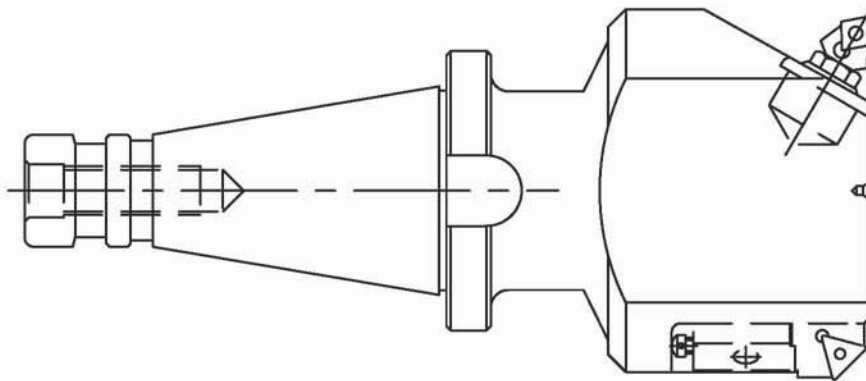
SPL.COMBINATION BORE CUM FACING HOLDER



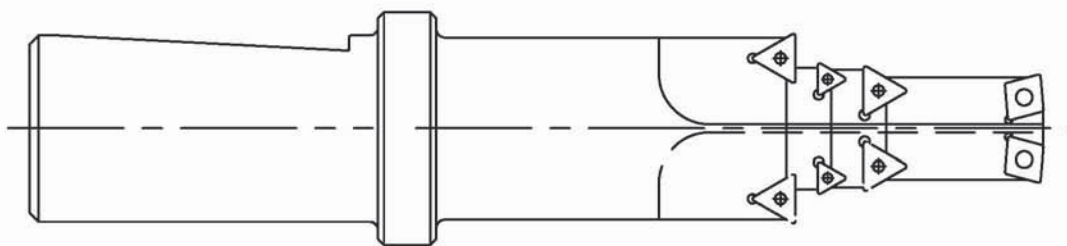
SPL.FRONT & BACK CHAMFER HOLDER FOR ANY ANGLE



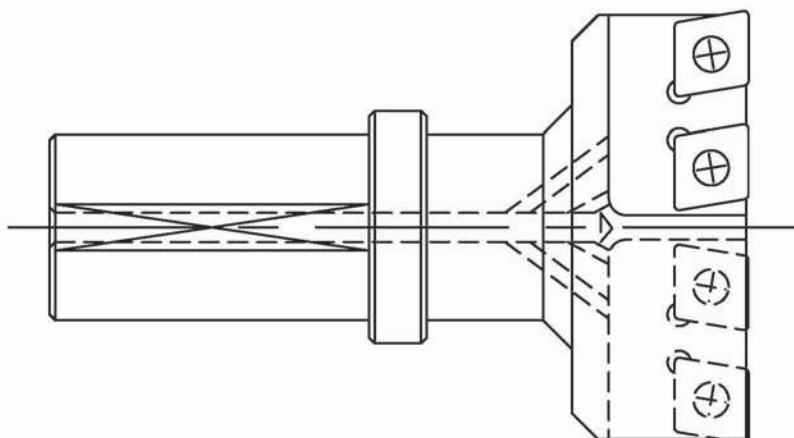
SPL.BORE CUM CHAMFER HOLDER



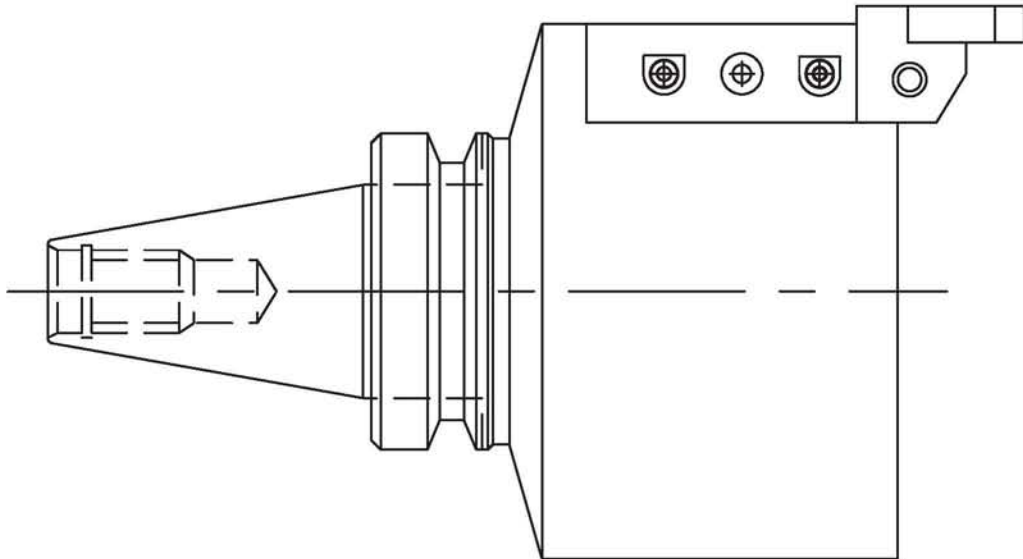
COMB.BORE CUM SPOT FACE HOLDER



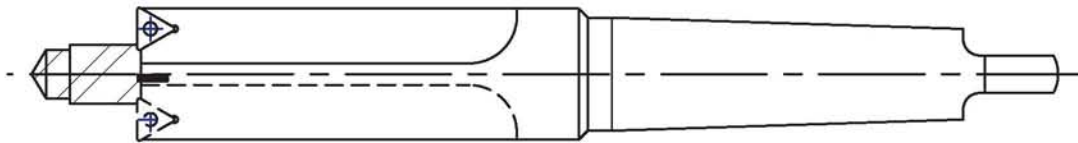
SPL.FACING HOLDER



SPL.FACE GROOVING HOLDER



DRILL CUM SPOT FACING HOLDER



SPL-COMB.ROUGH, FINISH & CHAMF HOLDER

